

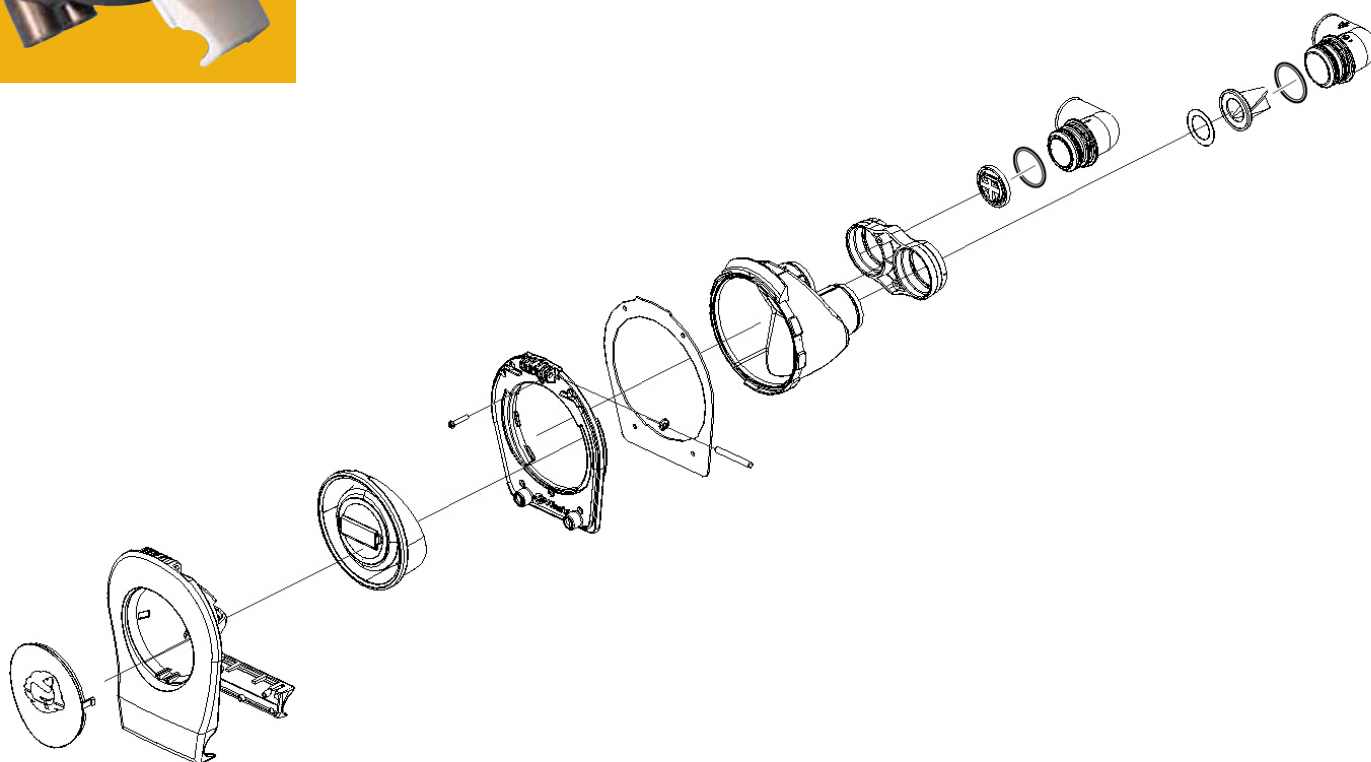


# Manual Bilge Pump

## Smartbail

### BP5012, BP5010B, BP5021B - Compact Manual Bilge Pump Fast Installation

**Note\*** Contained in Service Kit AK5010



### Service Kits

#### AK5010 Serviceable Parts Kit for Smartbail

Qty	Containing
1	Inlet valve (Nitrile®)
1	Outlet valve (Nitrile®)
1	Overmould diaphragm (Santoprene®)
1	Pivot pin
1	Flat seal
1	Screw 4 mm x 20 mm
1	Washer starlock M5 S/Steel
2	O-ring



AK5010